

WARNING: TO AVOID INJURY OR DEATH

- TEST THAT EACH WHEEL HAS FULLY ENGAGED IN THE FRAME TUBE BEFORE USE BY PULLING ON IT.
- ALWAYS TEST THAT ALL LATCHES ARE SECURELY ENGAGED AND THE WHEEL HAS SECURELY ENGAGED IN THE CHANNEL BEFORE USE.
- IMPORTANT: INFLATE ALL TIRES TO 28 P.S.I. TAKE CARE NOT TO OVERINFLATE.
- ALWAYS APPLY THE BRAKES WHENEVER THE PRAM/STROLLER IS STATIONARY
- DO NOT LEAVE CHILDREN UNATTENDED.
- FOLLOW THE MANUFACTURER'S INSTRUCTIONS.

Should the chassis become wet, dry off promptly before storing. If this pram is used near the ocean or salted roads, spray the chassis and seat frame with water and dry. We recommend a rust inhibiting product should be used to prevent rust and fatigue on metal parts.

We recommend that you wipe down axles and lubricate the wheels every 3 months. Sand and dirt can grind down axles, if you live near the beach or in a dusty environment you must wipe down the axles and wheels then lubricate them monthly.

AXLES ARE BEST LUBRICATED WITH GREASE OR PETROLEUM JELLY. MOVING PARTS ARE BEST LUBRICATED WITH SILICONE BASED PRODUCTS. DO NOT USE OIL BASED PRODUCTS.

DISCLAIMER

Due to our policy of continuous product development, this product is constantly evolving. It is possible that some features or procedures outlined here have changed since this document was written. If you are unsure of any procedure shown here, please contact us via the web at info@valco.com.au to obtain the most up to date information before use. Include the

batch number and model number, which can be found on a sticker on the frame.

All pictures and diagrams herein are provided for illustration purposes only. Actual product, colour or fabric may vary. VALCO BABY reserves the right to modify or alter any specification or colour without notice or obligation to modify any product previously purchased

FURTHER INFORMATION:
valcobaby.eu

Find us on:



valco
baby

valco
baby

PRODUCT REFERENCE GUIDE

SPORT PACK

Air Tire Kit for:
Snap Stroller
Snap Duo Stroller
Snap 4 Stroller

FURTHER INFORMATION:

Australia:
valcobaby.com.au

USA:
valcobaby.com

CANADA:
valcobaby.ca

EUROPE:
valcobaby.eu

RUSSIA:
valcobaby.ru

Find us on:

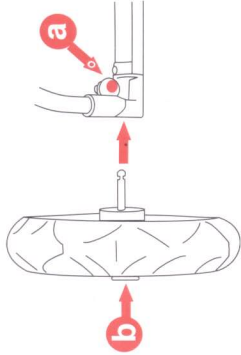


Thank you for purchasing a quality VALCO BABY product. Please read and follow the instructions outlined in this guide carefully. Familiarise yourself with the construction and safety features; be sure that you understand all the warnings and safety guidelines before use.

⚠ Important: Please read the following instructions carefully before assembling this product. Retain this guide in a safe place for future reference.

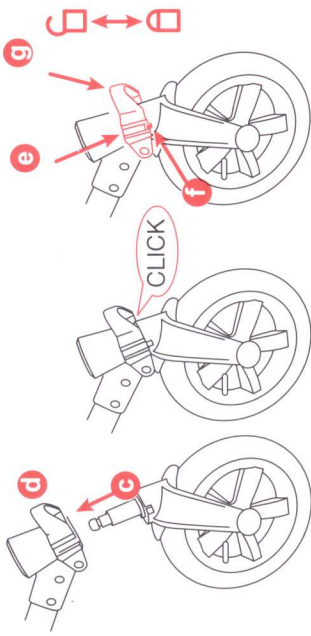
Air Tire Kit for Snap4 stroller

1 > REAR WHEELS



2 > FRONT WHEELS

Single wheel for Snap4 stroller (4 wheel stroller)



INSTRUCTIONS

1 > REAR WHEELS

While depressing the button (a) at the rear axle junction, insert the rear wheel axle into the rear axle tube of the stroller. Push the axle into the tube as far as it will go before releasing the button. Be sure the Brake Cog is on the inside of the wheel.

Repeat for other wheel.
To release your wheel, press button (b) and pull from axle tube.

IMPORTANT: TEST THAT EACH WHEEL HAS FULLY ENGAGED IN THE FRAME TUBE BEFORE USE BY PULLING ON IT.

2 > FRONT WHEELS: SNAP4 FOUR WHEEL STROLLER

FOR SNAP4: Align each front wheel pin (c) beneath the housing.

(d) on each front leg of the stroller. Be sure that the pin engages securely in the channel.

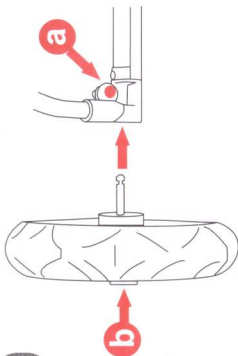
⚠ WARNING: ALWAYS TEST THAT ALL LATCHES ARE SECURELY ENGAGED AND THE WHEEL HAS SECURELY ENGAGED BEFORE USE.

To fix the front wheel(s) in the non-swivel position: Turn the wheel so that the notch at the side of the housing (e) lines up with the square pin (f). Press down firmly on the tab (g) until it locks into place. Lift tab to release and allow swivel.

IMPORTANT: INFLATE ALL TIRES TO 28 P.S.I. TAKE CARE NOT TO OVERINFLATE.

Air Tire Kit for Snap & Snap Duo stroller

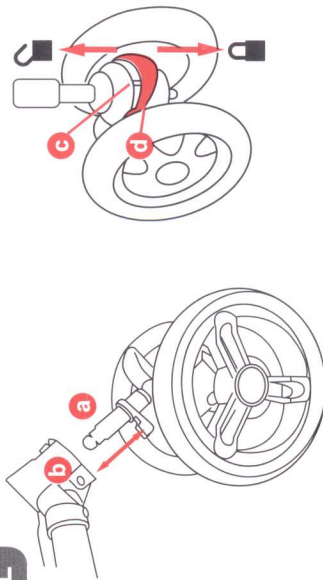
1 > REAR WHEELS



2 > DUAL FRONT WHEEL

DUAL WHEEL

For Snap 3 wheel stroller or Snap Duo stroller



INSTRUCTIONS

1 > REAR WHEELS

While depressing the button (a) at the rear axle junction, insert the rear wheel axle into the rear axle tube of the stroller. Push the axle into the tube as far as it will go before releasing the button. Be sure the Brake Cog is on the inside of the wheel.

Repeat for other wheel.
To release your wheel, press button (b) and pull from axle tube.

IMPORTANT: TEST THAT EACH WHEEL HAS FULLY ENGAGED IN THE FRAME TUBE BEFORE USE BY PULLING ON IT.

2 > DUAL FRONT WHEEL:

Align each front wheel pin (a) beneath the housing (b) on each front leg of the stroller. Be sure that the pin engages securely in the channel

⚠ WARNING: ALWAYS TEST THAT ALL LATCHES ARE SECURELY ENGAGED AND THE WHEEL HAS SECURELY ENGAGED IN THE CHANNEL BEFORE USE.

To fix the front wheel(s) in the non-swivel position: Turn the wheel so that the notch at the front of the wheel channel (c) lines up with the one in the top plastic housing (d). Press down firmly on the tab until it locks into place.

IMPORTANT: INFLATE ALL TIRES TO 28 P.S.I. TAKE CARE NOT TO OVERINFLATE.